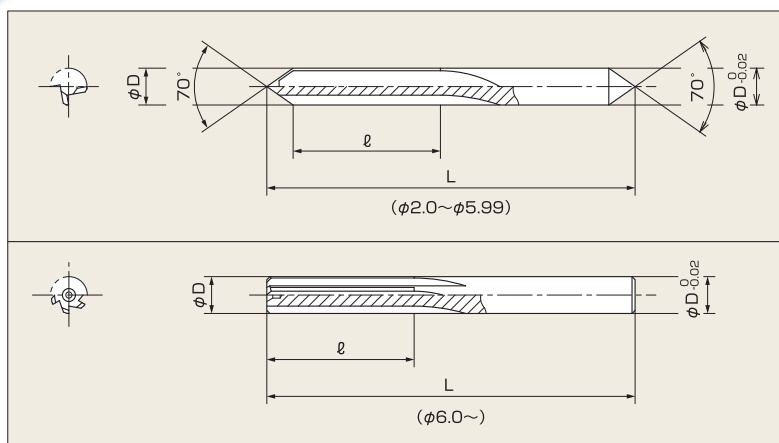
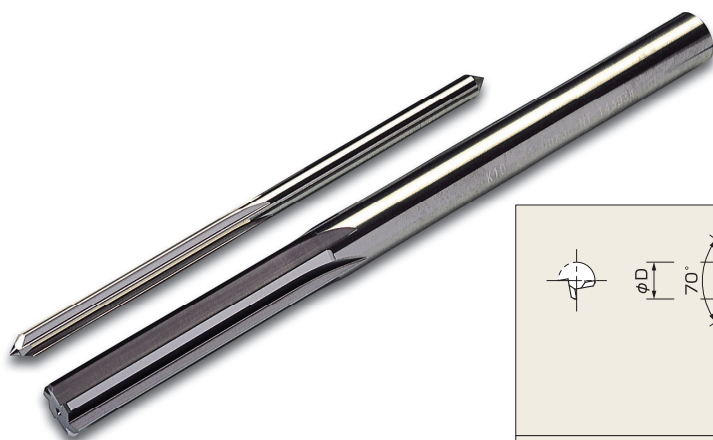




ソリッドハンドリーマー S-HR

SOLID CARBIDE MACHINE REAMER



■ 0.1とび

外径 (ϕD)	外径 許容差	刃長 (ℓ)	全長 (L)	刃数 (N)
1.0~1.9	+0.006 +0.002	20	45	4
2.0~2.9				
3.0		25	60	
3.1~3.9	+0.009 +0.004	30	70	6
4.0~4.9				
5.0~5.9				
6.0~6.4	+0.012 +0.006	35	80	
6.5~6.9				
7.0~7.9				
8.0~8.9	+0.015 +0.007	40	90	
9.0~9.9				
10.0				
10.1~10.9	+0.015 +0.007	45	95	
11.0~11.9				
12.0~12.9				
13.0				

■ インチサイズ

外径 (ϕD)	外径 許容差	刃長 (ℓ)	全長 (L)	刃数 (N)
3.175 (1/8)	+0.009 +0.004	25	60	4
4.736 (3/16)		30	70	6
6.35 (1/4)	+0.012 +0.006	35	80	
9.525 (3/8)				

SSS ソリッドハンドリーマー S-HR
K10 SOLID CARBIDE MACHINE REAMER

■0.01とび

外径 (φD)	外径 許容差	刃長 (ℓ)	全長 (L)	刃数 (N)
1.01~1.09	+0.005 0	20	45	4
1.11~1.19				
1.21~1.29				
1.31~1.39				
1.41~1.49				
1.51~1.59				
1.61~1.69				
1.71~1.79				
1.81~1.89				
1.91~1.99				
2.01~2.09				
2.11~2.19				
2.21~2.29				
2.31~2.39				
2.41~2.49				
2.51~2.59				
2.61~2.69				
2.71~2.79				
2.81~2.89				
2.91~2.99				
3.01~3.09	25	60		
3.11~3.19				
3.21~3.29				
3.31~3.39				
3.41~3.49				
3.51~3.59				

外径 (φD)	外径 許容差	刃長 (ℓ)	全長 (L)	刃数 (N)
3.61~3.69	+0.005 0	25	60	6
3.71~3.79				
3.81~3.89				
3.91~3.99				
4.01~4.09				
4.11~4.19				
4.21~4.29				
4.31~4.39				
4.41~4.49				
4.51~4.59				
4.61~4.69				
4.71~4.79				
4.81~4.89				
4.91~4.99				
5.01~5.09				
5.11~5.19				
5.21~5.29				
5.31~5.39				
5.41~5.49				
5.51~5.59				
5.61~5.69				
5.71~5.79				
5.81~5.89				
5.91~5.99				
6.01~6.09				
6.95~6.99	35	80		
7.01~7.09				
7.95~7.99				
8.01~8.09				
9.01~9.09				
9.95~9.99				
10.01~10.09				
10.95~10.99				
11.01~11.09				
11.95~11.99				
12.01~12.09				
12.95~12.99				
	40	90		
	45	95		